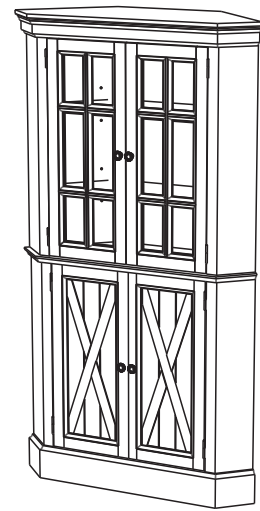


**Corner Cabinet****IMPORTANT**

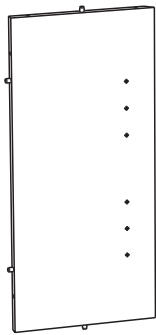
Carefully remove all the parts from the carton and place them individually on a soft cloth to prevent scratches or other damage.

Carefully and strictly follow these assembly instructions to ensure a completed product as designed.

Do not use power tools above 8 volts to assemble.

**Part List**

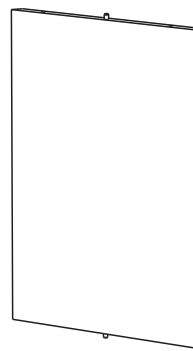
**C.**  
Side Panel  
1 Pc.



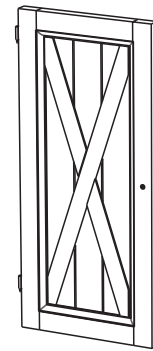
**D.**  
Side Panel  
2 Pcs.



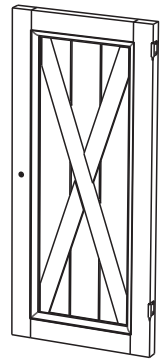
**E.**  
Side Panel  
1 Pc.



**F.**  
Back Panel  
1 Pc.



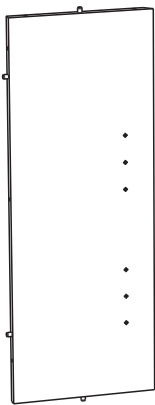
**I.**  
Door  
1 Pc.



**J.**  
Door  
1 Pc.



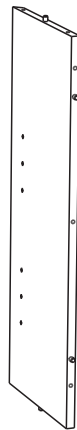
**K.**  
Side Panel  
1 Pc.



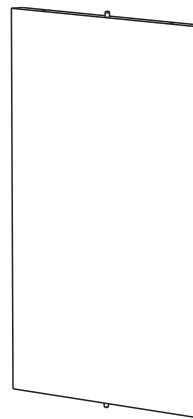
**L.**  
Side Panel  
1 Pc.



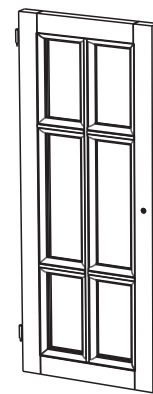
**M.**  
Side Panel  
1 Pc.



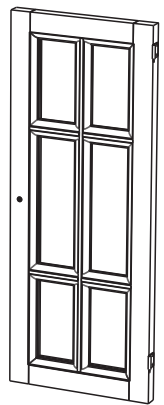
**N.**  
Side Panel  
1 Pc.



**O.**  
Back Panel  
1 Pc.



**P.**  
Door  
1 Pc.



**Q.**  
Door  
1 Pc.

**Carton 5523-681 is also needed for assembly.**

Tool(s) required for assembly: Phillips screwdriver, Level

**homestyles Customer Service: [www.homestylesfurniture.com](http://www.homestylesfurniture.com),  
servicedesk@homestylesfurniture.com, 888-680-7460**

## Assembly Instructions 2/7

### IMPORTANT

- Use a soft cloth between these parts and the floor.
- Do not use power tools above 8 volts to assemble.
- Do not tighten all the bolts until each part is properly assembled.
- The unit must be level to work properly. Use the included adjustable levelers to level.

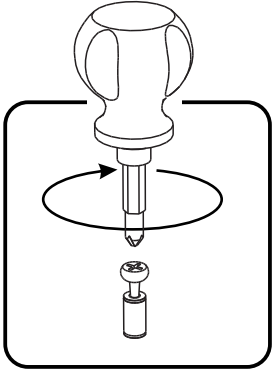


Figure 1

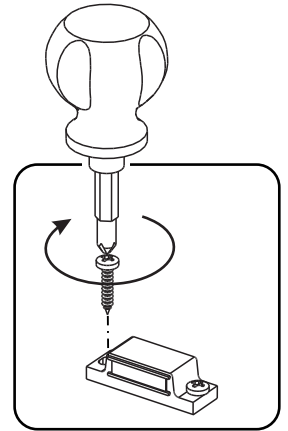
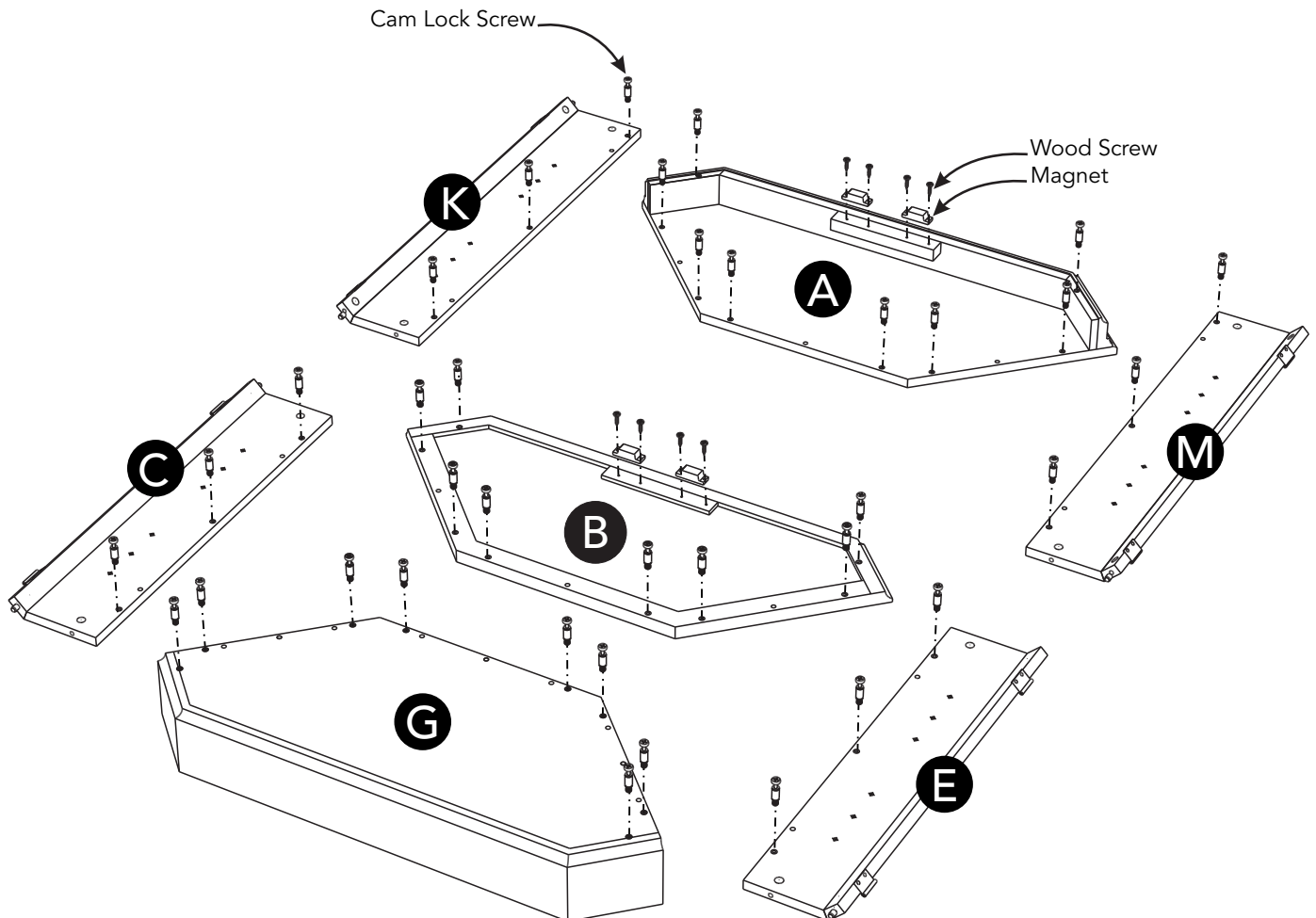


Figure 2



### STEP 1

Insert Cam Lock Screws into pre-drilled holes in Top (A), Side Panels (C), (E), (K), (M), Fixed Shelf (B) and Base (G), then tighten. (See Figure 1)

Attach Magnets to Top (A) and Fixed Shelf (B) with Wood Screws into pre-drilled holes. (See Figure 2)

## Assembly Instructions 3/7

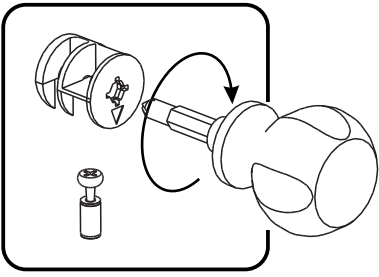
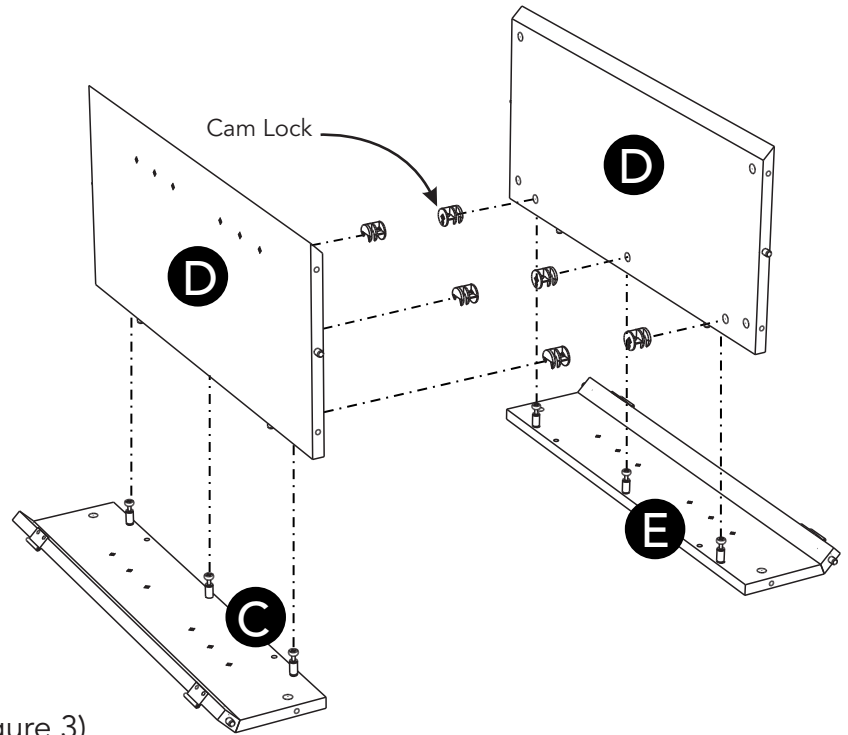


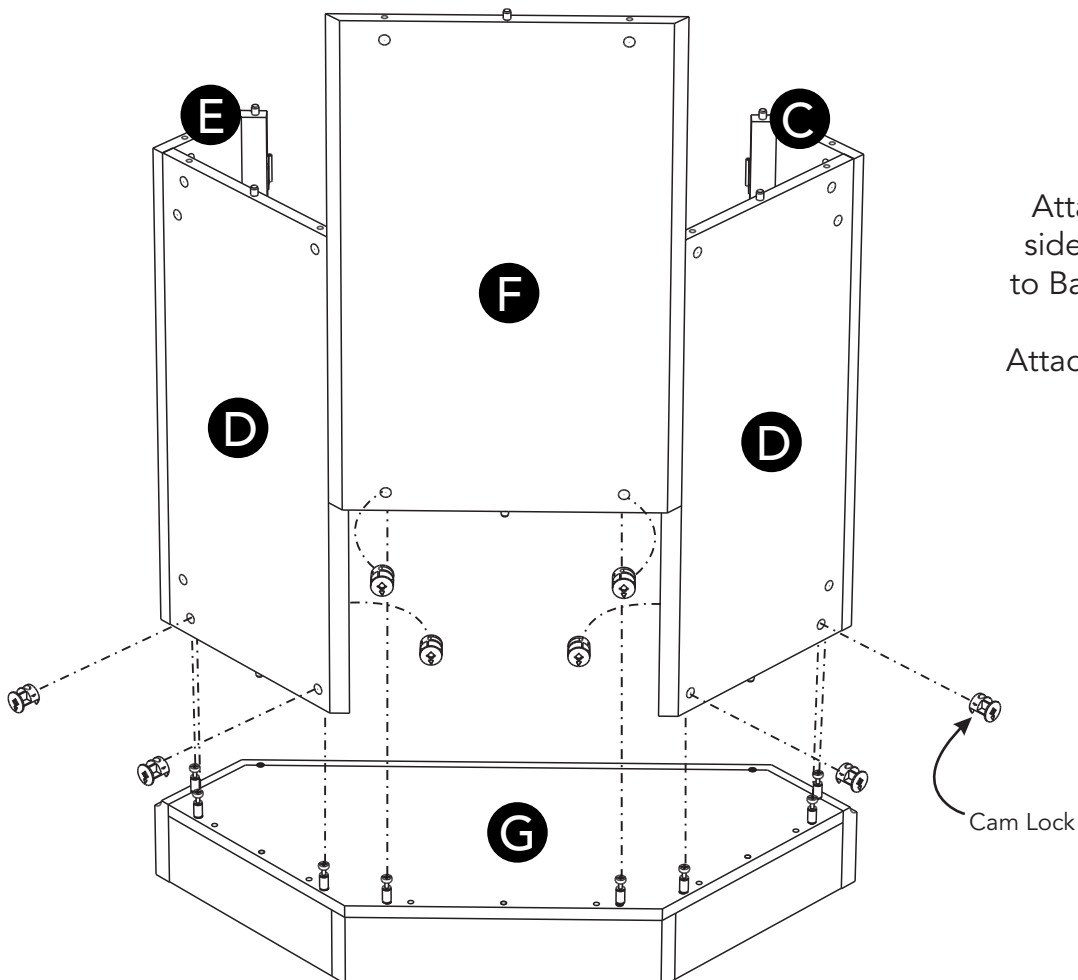
Figure 3



### STEP 2

Attach Side Panel (C) to Side Panel (D) with Cam Locks. (See Figure 3)

Attach Side Panel (E) to Side Panel (D) with Cam Locks.



### STEP 3

Attach side unit (C, D) and side unit (E, D) from Step 2 to Base (G) with Cam Locks.

Attach Back Panel (F) to unit with Cam Locks.

## Assembly Instructions 4/7

### STEP 4

Insert Adjustable Pins into side panels at desired level. (See Figure 4)

Place Shelves (H) into position.

Attach Doors (I) and (J) to unit by sliding door hinges into side panel hinges. (See Figure 5)

Attach Knobs to Doors (I) and (J) with Machine Screws. (See Figure 6)

Attach Fixed Shelf (B) to unit with Cam Locks.

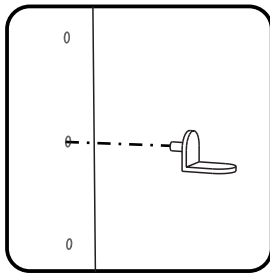
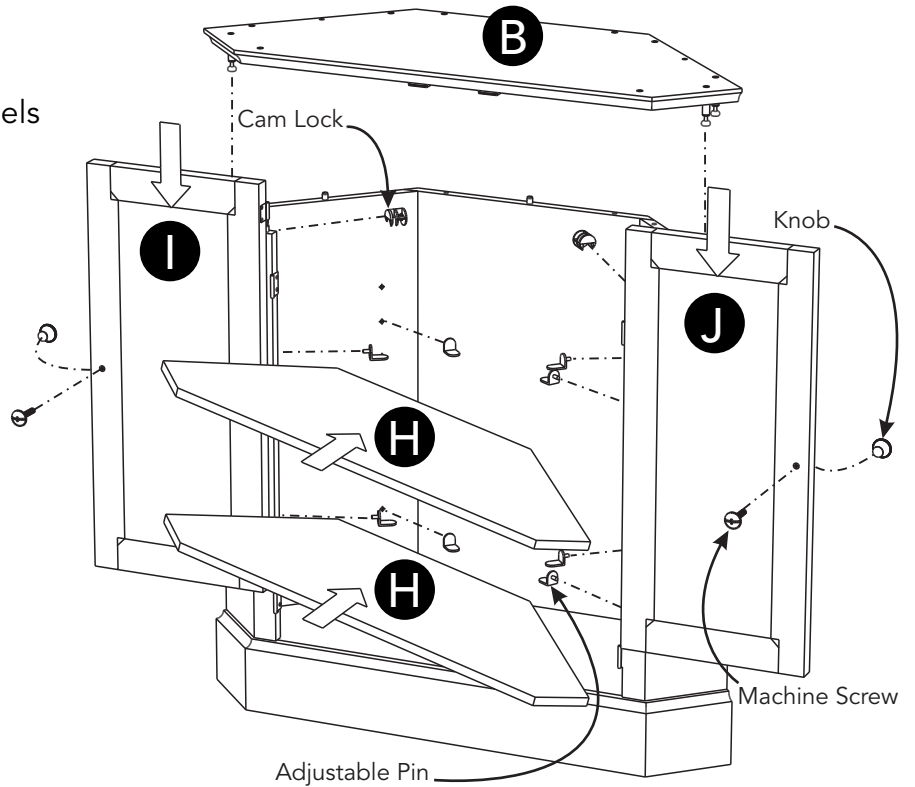


Figure 4

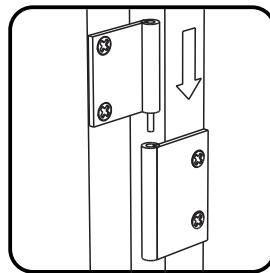


Figure 5

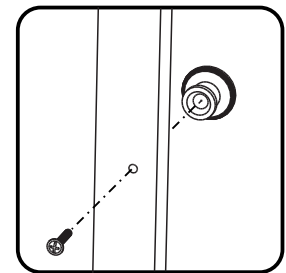
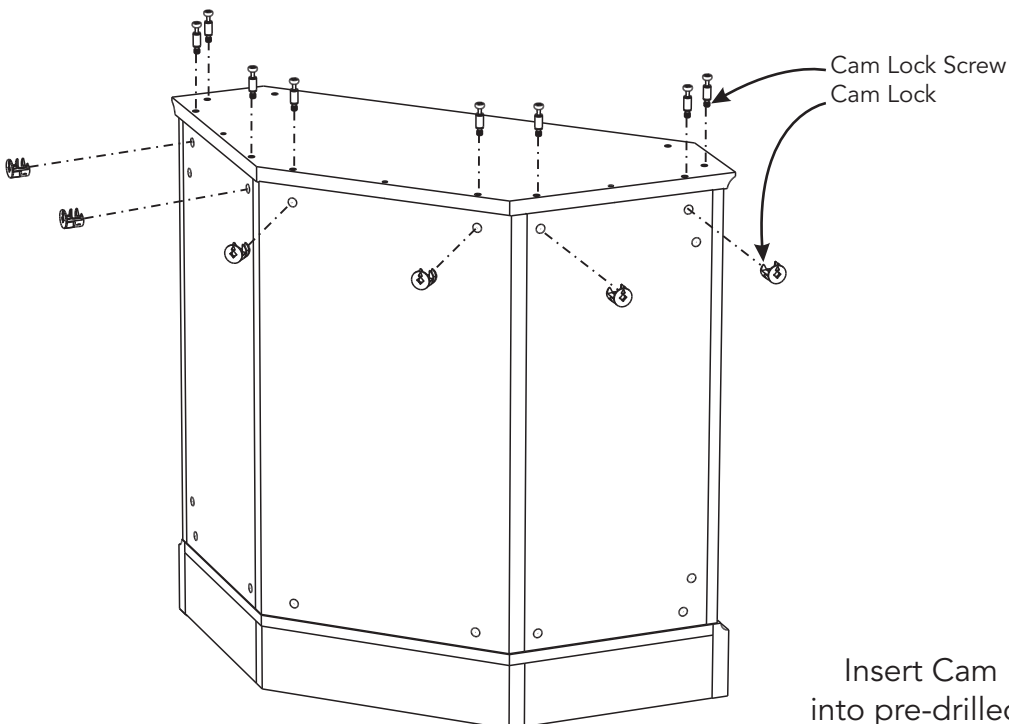


Figure 6



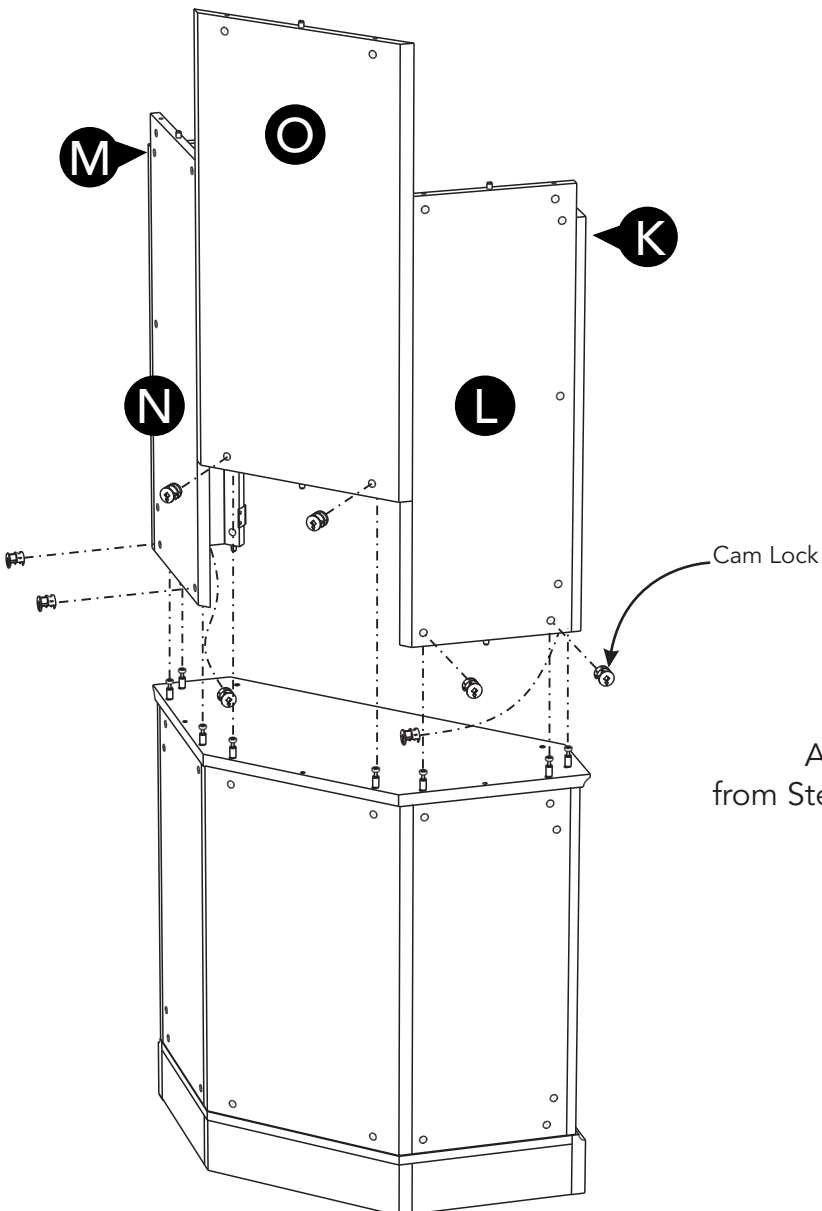
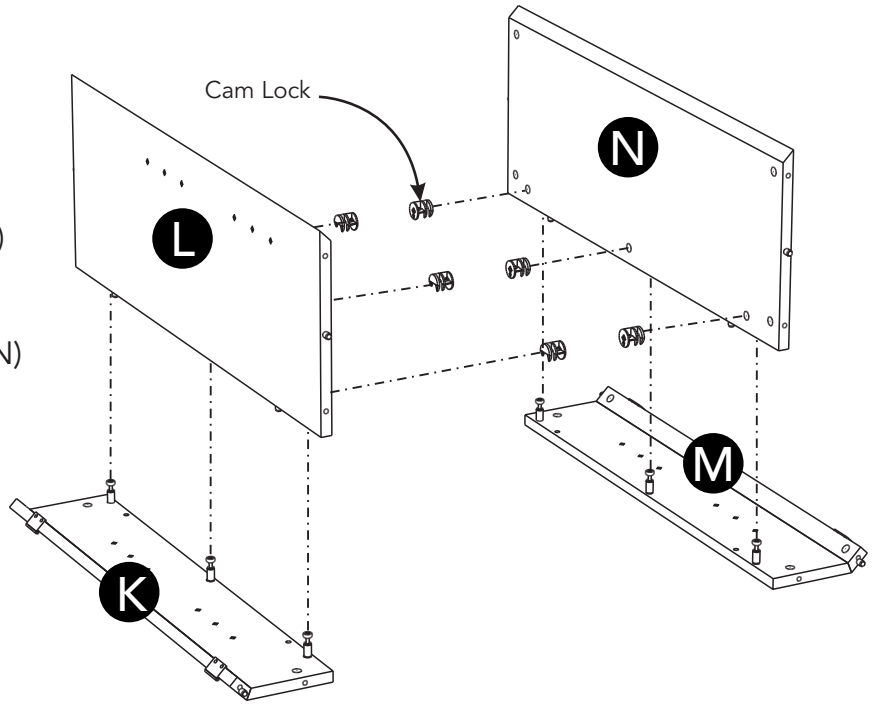
### STEP 5

Insert Cam Locks and Cam Lock Screws into pre-drilled holes in unit, then tighten.

**STEP 6**

Attach Side Panel (K) to Side Panel (L) with Cam Locks.

Attach Side Panel (M) to Side Panel (N) with Cam Locks.



**STEP 7**

Attach side unit (K, L) and side unit (M, N) from Step 6 to unit from Step 5 with Cam Locks.

Attach Back Panel (O) to unit with Cam Locks.

# Assembly Instructions 6/7

## STEP 8

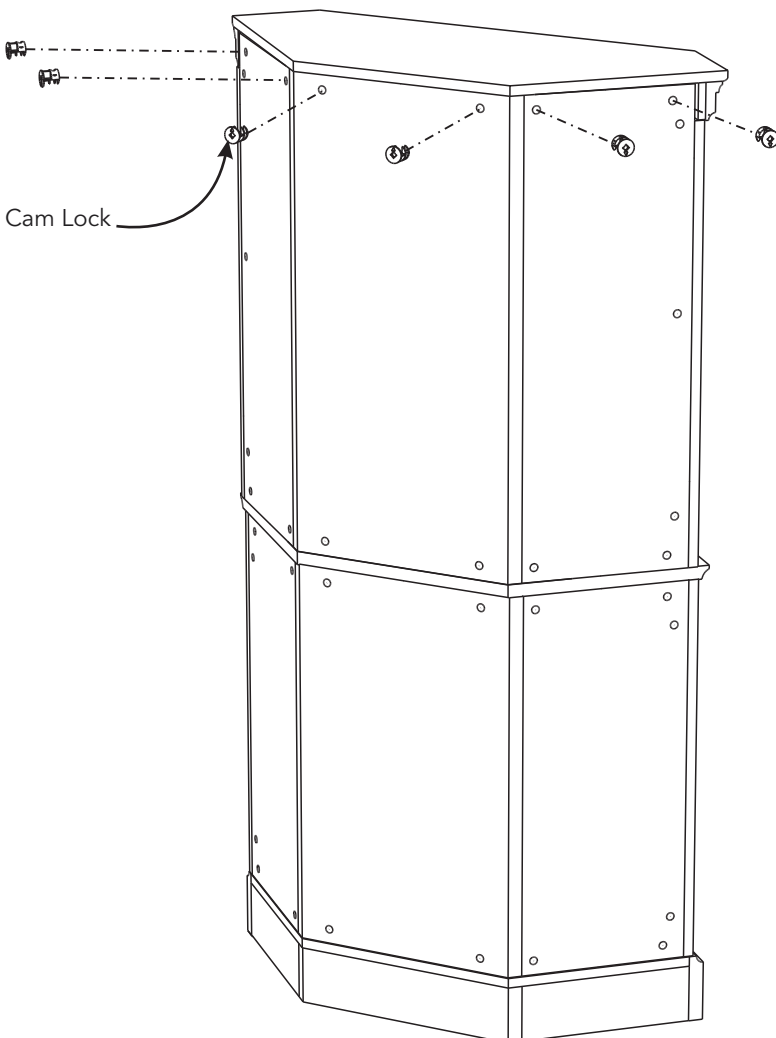
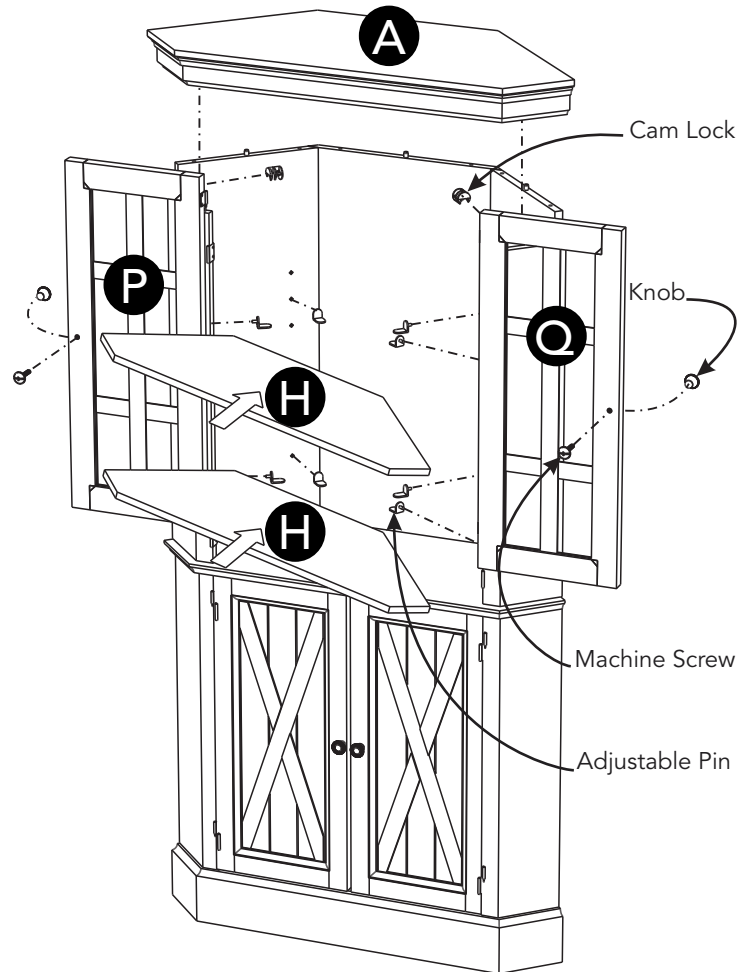
Insert Adjustable Pins into side panels at desired level.

Place Shelves (H) into position.

Attach Doors (P) and (Q) to unit by sliding door hinges into side panel hinges.

Attach Knobs to Doors (P) and (Q) with Machine Screws.

Attach Top (A) to unit with Cam Locks.



## STEP 9

Insert Cam Locks into pre-drilled holes of unit, then tighten.

Level unit by adjusting the adjustable levelers on bottom of unit. (See Figure 7)

Note: Unit must be level to work properly.

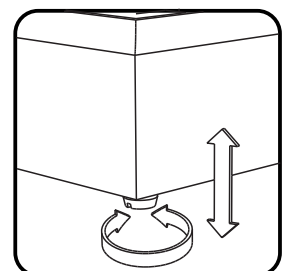


Figure 7

# Assembly Instructions 7/7

## IMPORTANT

- To help reduce the risk of the unit tipping over, the Tipover Restraint must be installed following these instructions exactly.

## STEP 10

Place unit at desired location.

Drill a 3/8" hole in wall in-line with pre-drilled hole at top of unit.

Move unit.

Insert Anchor into the wall hole and attach Bracket with Wall Screw.

Attach Bracket at pre-drilled hole at top of unit with Wood Screw.

Move unit back into place.

Slide Tipover Restraint through Bracket on wall and Bracket on unit.  
(See Figure 8)

Put tie end of Tipover Restraint into lock end of Tipover Restraint and pull until tight.

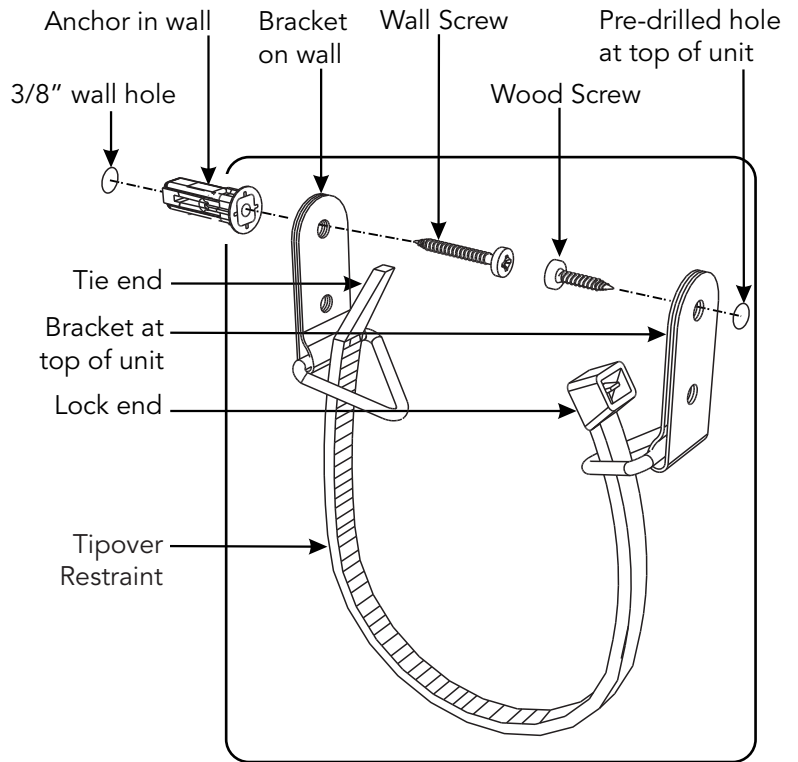
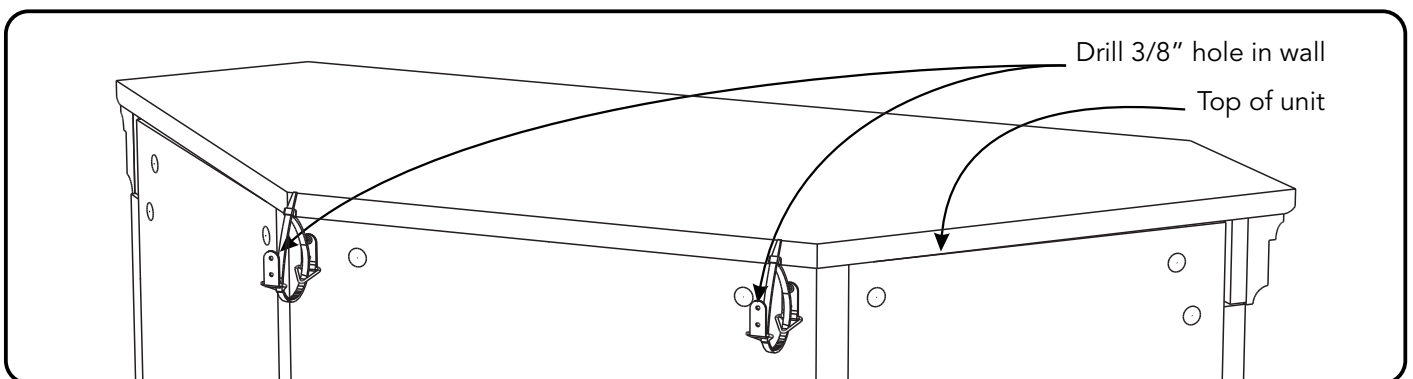
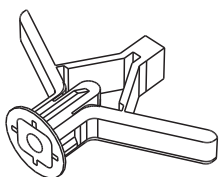


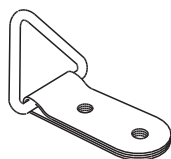
Figure 8



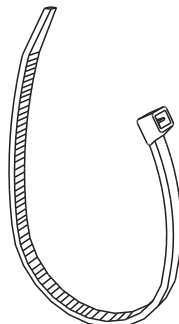
## Hardware List



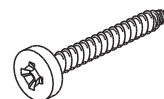
Anchor  
2 pcs. (+1 extra)



Bracket  
4 pcs. (+1 extra)



Tipover Restraint  
2 pcs. (+1 extra)



M3.5x40  
Wall Screw  
2 pcs. (+1 extra)



M3.5x16  
Wood Screw  
2 pcs. (+1 extra)

# CARE INSTRUCTIONS

## NEVER

allow liquids to remain on furniture.  
Absorption causes parts to warp  
and split and finishes to delaminate.

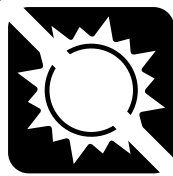
## NEVER

use glass cleaners on  
finished furniture. Ammonia  
chemically attacks the finish.



Do not use power tools  
above 8 volts to assemble.

**PREVENT  
CRACKING**



Do not place  
in direct sunlight.

**PREVENT  
FADING**



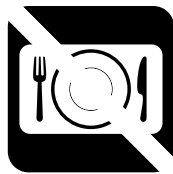
Do not write  
directly on surface.

**PREVENT  
MARKING**



Do not place hot  
objects on surface.

**PREVENT  
FINISH DAMAGE**



Do not use rubber  
based placemats.

**PREVENT  
DISCOLORING**



Do not use commercial  
waxes and polishes.

**PREVENT  
YELLOWING**

## CLEAN

with a soft cloth moistened  
in lukewarm soap and water.  
Buff with a dry clean cloth.



**homestyles** will provide replacements free of charge for missing or damaged parts within 30 days of purchase. Digital images of the defective parts may be required. If the product was not purchased from an authorized retailer, **homestyles** is under no obligation to provide replacement parts. Parts are not available for fully assembled items nor are parts available for sale. Replacements for missing or damaged parts may be requested via contact info below.

**homestyles** Customer Service: [www.homestylesfurniture.com](http://www.homestylesfurniture.com),  
[servicedesk@homestylesfurniture.com](mailto:servicedesk@homestylesfurniture.com), 888-680-7460